

ITEM	DWG. NO.	DESCRIPTION	QTY	MATERIAL	REMARK
8		TOP SIDE RAIL	2	SPA-H 606GM3.0 L=5702	
7		ROPE HOLDER	2	SS400 φ8 ZINC PLATED	
6		LASHING RING	20	SS400 φ12 ZINC PLATED	
5		VENTILATOR COVER	2	ABS	
4		HUCK BOLT	6	AL φ5	
3		SIDE PANEL(INNER)	6	SPA-H 11.6 L=1162332-3	
2		WITHOUT VENT SIDE PANEL(OUTER)	2	SPA-H 12.0 L=1162332-3	
1		WITH VENT. SIDE PANEL(OUTER)	2	SPA-H 12.0 L=1162332-3	

MARKET/FILE NO.	NAME	DATE
DESIGNED	Zou JJ	
CHECKED	Zou JJ	
APPROVED	Zhang JL	2011.12.20

DETAIL OF LASHING RING 1:2

DETAIL OF VENTILATOR 1:5

SECTION F-F 1:5

SECTION A-A 1:10

SECTION B-B 1:5

DETAIL OF ROPE HOLDER 1:2

SEALING 中規#15-300  
50mm FROM EACH TOP AND BOTTOM END OF PANEL

SEALING 中規#15-300  
50mm FROM EACH TOP AND BOTTOM END OF PANEL

ALL ROUND SEALING (EXCEPT BOTTOM)

T.I.R. APPROVED VENTILATOR 5

3-φ5.4 HUCK BOLT HOLES 4

SEAM LINE

SEAM LINE

SEAM LINE

SEAM LINE

SEAM LINE

SEAM LINE

SEAM LINE

SEAM LINE

SEAM LINE

SEAM LINE

SEAM LINE

SEAM LINE

SEAM LINE

SEAM LINE

SEAM LINE

SEAM LINE

SEAM LINE

SEAM LINE

SEAM LINE

SEAM LINE

SEAM LINE

SEAM LINE

SEAM LINE

SEAM LINE

SEAM LINE

SEAM LINE

SEAM LINE

SEAM LINE

SEAM LINE

SEAM LINE

SEAM LINE

SEAM LINE

SEAM LINE

SEAM LINE

SEAM LINE

SEAM LINE

SEAM LINE

SEAM LINE

SEAM LINE

SEAM LINE

SEAM LINE

SEAM LINE

SEAM LINE

SEAM LINE

SEAM LINE

SEAM LINE

SEAM LINE

SEAM LINE

SEAM LINE

SEAM LINE

SEAM LINE

SEAM LINE

SEAM LINE

SEAM LINE

SEAM LINE

SEAM LINE

SEAM LINE

SEAM LINE

SEAM LINE

SEAM LINE

SEAM LINE

SEAM LINE

SEAM LINE

SEAM LINE

SEAM LINE

SEAM LINE

SEAM LINE

SEAM LINE

SEAM LINE

SEAM LINE

SEAM LINE

SEAM LINE

SEAM LINE

SEAM LINE

SEAM LINE

SEAM LINE

SEAM LINE

SEAM LINE

SEAM LINE

SEAM LINE

SEAM LINE

SEAM LINE

SEAM LINE

SEAM LINE

SEAM LINE

SEAM LINE

SEAM LINE

SEAM LINE

SEAM LINE

SEAM LINE

SEAM LINE

SEAM LINE

SEAM LINE

SEAM LINE

SEAM LINE

SEAM LINE

SEAM LINE

SEAM LINE

SEAM LINE

SEAM LINE

SEAM LINE

SEAM LINE

SEAM LINE

SEAM LINE

SEAM LINE

SEAM LINE

SEAM LINE

SEAM LINE

SEAM LINE

SEAM LINE

SEAM LINE

SEAM LINE

SEAM LINE

SEAM LINE

SEAM LINE

SEAM LINE

SEAM LINE

SEAM LINE

SEAM LINE

SEAM LINE

SEAM LINE

SEAM LINE

SEAM LINE

SEAM LINE

SEAM LINE

SEAM LINE

SEAM LINE

SEAM LINE

SEAM LINE

SEAM LINE

SEAM LINE

SEAM LINE

SEAM LINE

SEAM LINE

SEAM LINE

SEAM LINE

SEAM LINE

SEAM LINE

SEAM LINE

SEAM LINE

SEAM LINE

SEAM LINE

SEAM LINE

SEAM LINE

SEAM LINE

SEAM LINE

SEAM LINE

SEAM LINE

SEAM LINE

SEAM LINE

SEAM LINE

SEAM LINE

SEAM LINE

SEAM LINE

SEAM LINE

SEAM LINE

SEAM LINE

SEAM LINE

SEAM LINE

SEAM LINE

SEAM LINE

SEAM LINE

SEAM LINE

SEAM LINE

SEAM LINE

SEAM LINE

SEAM LINE

SEAM LINE

SEAM LINE

SEAM LINE

SEAM LINE

SEAM LINE

SEAM LINE

SEAM LINE

SEAM LINE

SEAM LINE

SEAM LINE

SEAM LINE

SEAM LINE

SEAM LINE

SEAM LINE

SEAM LINE

SEAM LINE

SEAM LINE

SEAM LINE

SEAM LINE

SEAM LINE

SEAM LINE

SEAM LINE

SEAM LINE

SEAM LINE

SEAM LINE

SEAM LINE

SEAM LINE

SEAM LINE

SEAM LINE

SEAM LINE

SEAM LINE

SEAM LINE

SEAM LINE

SEAM LINE

SEAM LINE

SEAM LINE

SEAM LINE

SEAM LINE

SEAM LINE

SEAM LINE

SEAM LINE

SEAM LINE

SEAM LINE

SEAM LINE

SEAM LINE

SEAM LINE

SEAM LINE

SEAM LINE

SEAM LINE

SEAM LINE

SEAM LINE

SEAM LINE

SEAM LINE

SEAM LINE

SEAM LINE

SEAM LINE

SEAM LINE

SEAM LINE

SEAM LINE

SEAM LINE

SEAM LINE

SEAM LINE

SEAM LINE

SEAM LINE

SEAM LINE

SEAM LINE

SEAM LINE

SEAM LINE

SEAM LINE

SEAM LINE

SEAM LINE

SEAM LINE

SEAM LINE

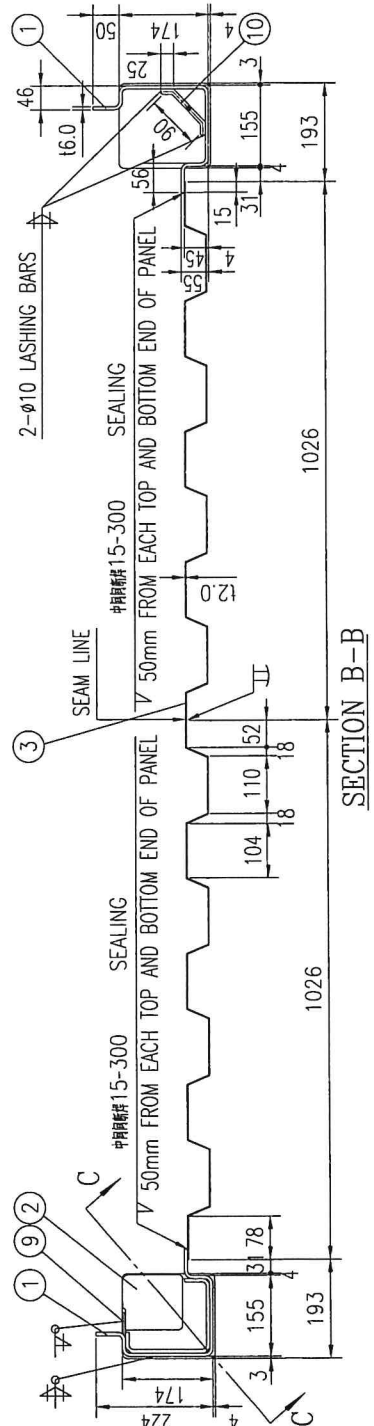
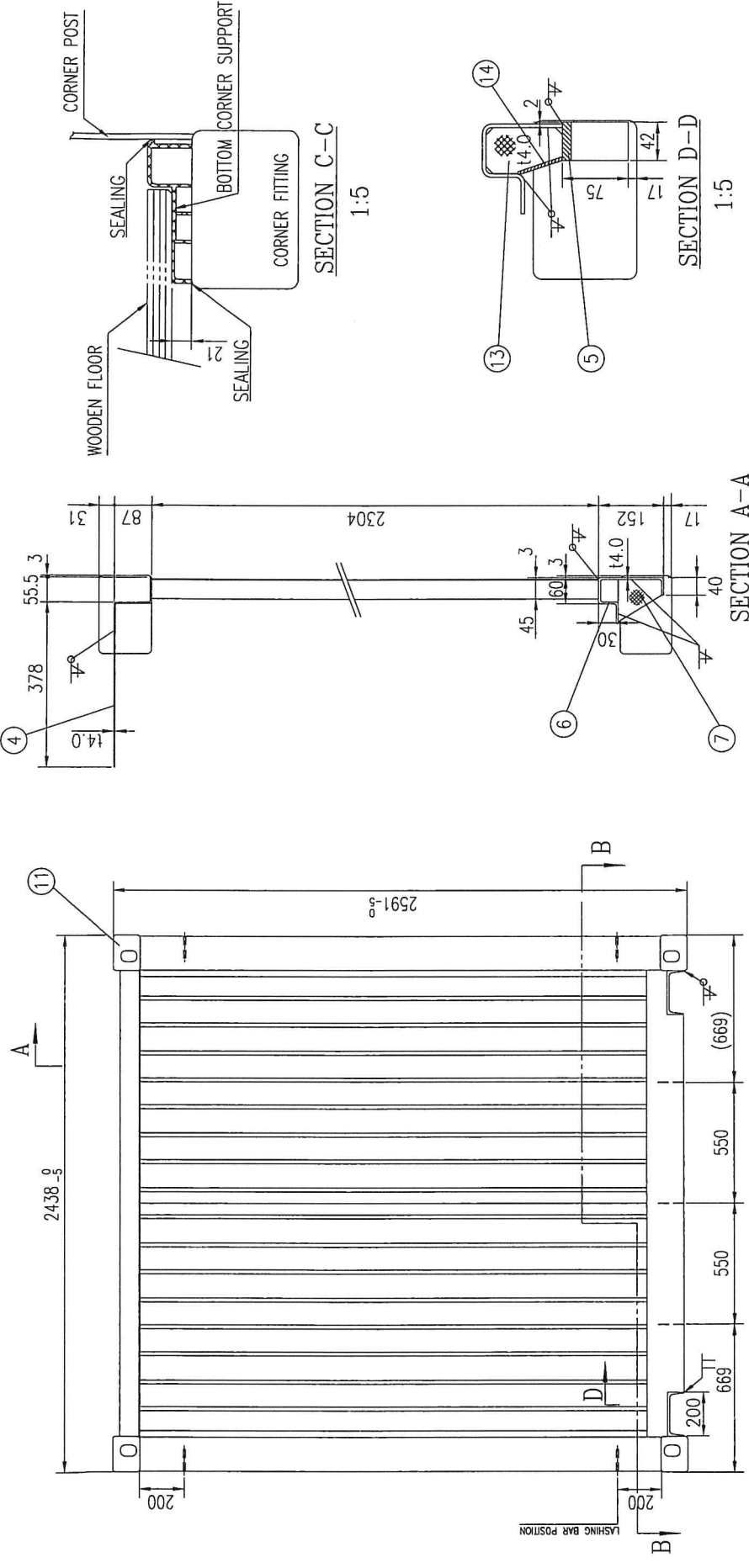
SEAM LINE

SEAM LINE

SEAM LINE

SEAM LINE

SEAM LINE



14	PATCH	2	SPA-H 14.0	45X196
13	PATCH	2	SPA-H 14.0	
12				
11	CORNER FITTING	4	SCW40	
10	LASHING BAR	4	SS400 φ10	ZINC PLATED
9	PATCH	2	SPA-H 13.0	38X20
8				
7	BOTTOM END RAIL CASSET	3	SPA-H 14.0	
6	CHANNEL STEEL	2	SS400 200X75	L=42
5	FRONT PANEL	2	SPA-H 12.0	1026X2304
4	FRONT PANEL	2	SPA-H 14.0	
3	FRONT PANEL	2	SPA-H 14.0	
2	CORNER SUPPORT	2	POPPROPALENE	
1	CORNER POST	2	SPA-H 16.0	
ITEM DWG. NO. DESCRIPTION QTY MATERIAL REMARK				
CX10-2052-500				
審核者: 許維銘 審核日期: 2011.12.20 圖樣名稱: FRONT ASSEMBLY 設計者: ZOUJINJUN 檢查者: ZOUJINJUN 審核者: ZHANGJIANLANG				